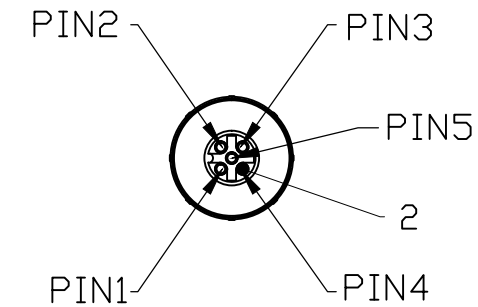
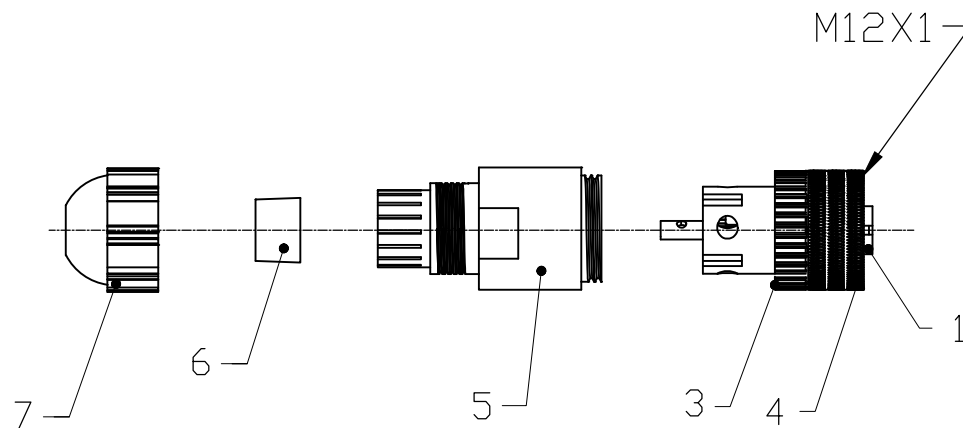
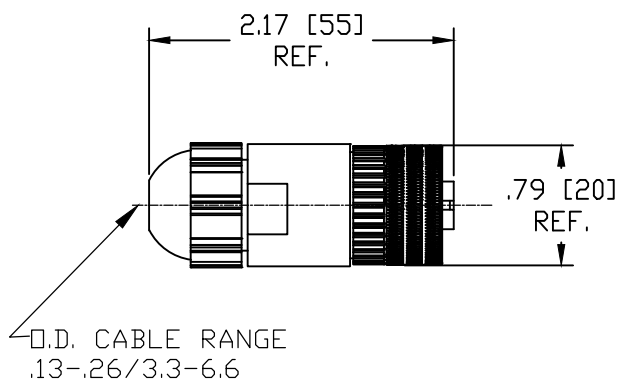
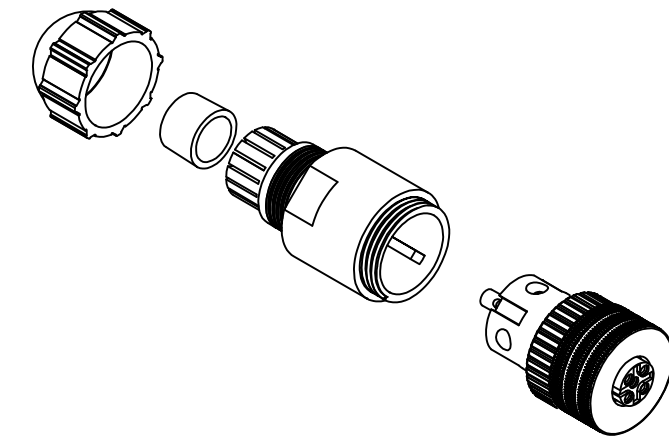


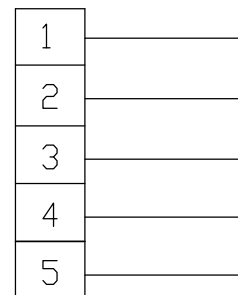
MATERIAL NUMBER	ENGINEERING NUMBER
1200710041	8A5000-31

TORQUE RECOMMENDATION:

CABLE SCREW PG7: 2.4Nm  
 THREAD BETWEEN HOUSING AND INSERT: 0.8Nm  
 STRAND SCREW (CONTACT): 0.4Nm



FEMALE FACE VIEW



WIRING CHART

VOLTAGE RATING	30VAC/36VDC
AMPERAGE RATING	4 AMPS
PROTECTION	IP67
OPERATING TEMPERATURE	-25°C TO 90°C
CSA CERTIFICATIONS	CSA CERTIFIED, FILE NO. LR6837

ITEM		COMPONENT	MATERIAL	FINISH
1	1	INSERT	POLYAMIDE	BLACK
2	5	CONTACTS	COPPER ALLOY	SILVER PLATED
3	1	O-RING	NITRILE	BLACK
4	1	COUPLING NUT	BRASS	NICKEL PLATED
5	1	MOLDED BODY	POLYAMIDE	BLACK
6	1	GROMMET	NITRILE	BLACK
7	1	CORD GRIP BODY	POLYAMIDE	BLACK

DESCRIPTION EC NO: IPG2013-1257 DRWN: REISSNER CHKD: APOHL APPR: CBURGER 13.02.13	QUALITY SYMBOLS	GENERAL TOLERANCES (UNLESS SPECIFIED)	DIMENSION STYLE	SCALE	DESIGN UNITS	THIRD ANGLE PROJECTION
	$\nabla = 0$ $\nabla = 0$	mm    INCH 4 PLACES ±--- ±--- 3 PLACES ±--- ±--- 2 PLACES ±--- ±--- 1 PLACE ±0.3 ±--- 0 PLACE ±0.5 ±--- ANGULAR ± 1 °	MM	---	METRIC	
	DRAFT WHERE APPLICABLE MUST REMAIN WITHIN DIMENSIONS	DRAWN BY    DATE TWOLDEGE    2009/08/07 CHECKED BY    DATE APOHL    2013/02/15 APPROVED BY    DATE ---    ---	FA M12 5P AC FE STR UNSH BK BRA ---			
	SIZE <b>A3</b>	MATERIAL NO. 1200710041	DOCUMENT NO. SD-120071-005	SHEET NO. 1 OF 1	<b>molex</b>	

THIS DRAWING CONTAINS INFORMATION THAT IS PROPRIETARY TO MOLEX INCORPORATED AND SHOULD NOT BE USED WITHOUT WRITTEN PERMISSION